

PTAC Sleeve Friedrich/ClimateMaster Adapter Kit

Installation Instructions

Pre-Installation Notes

Proper installation of the Friedrich/ClimateMaster sleeve adapter kit helps ensure trouble-free operation. Improper installation can result in problems ranging from noisy operation to property or equipment damage. Proper installation requires mechanical experience and aptitude.

- Carefully read **all** of the installation instructions before installing. Make sure each step or procedure is understood and any special considerations are taken into account before starting installation.
- Assemble all tools, hardware, and supplies needed to complete the installation. Some items may need to be purchased locally. Make sure everything needed to install the kit and air conditioner is on hand before starting.



**RECOGNIZE THIS SYMBOL
AS A SAFETY PRECAUTION**

Important Safety Instructions

The following symbols and labels are used to indicate immediate or potential hazards. It is the owner's responsibility to read and comply with all safety information and instructions accompanying these symbols. Failure to heed safety information increases the risk of personal injury, property damage, and/or product damage.



DANGER

Danger - Immediate hazards which **WILL** result in severe personal injury or death.



WARNING

Warning - Hazards or unsafe practices which **COULD** result in severe personal injury or death.



CAUTION

Caution - Hazards or unsafe practices which **COULD** result in minor or moderate personal injury, product damage, or property damage.

ATTENTION INSTALLING PERSONNEL

As a professional installer you have an obligation to know the product better than the customer. This includes all safety precautions and related items.

Prior to actual installation, thoroughly familiarize yourself with this Instruction Manual. Pay special attention to all safety warnings. Often during installation or repair it is possible to place yourself in a position which is more hazardous than when the unit is in operation.

Remember, it is your responsibility to install the product safely and to know it well enough to be able to instruct a customer in its safe use.

Safety is a matter of common sense...a matter of thinking before acting. Most dealers have a list of specific good safety practices...follow them.

The precautions listed in this Installation Manual are intended as supplemental to existing practices. However, if there is a direct conflict between existing practices and the content of this manual, the precautions listed here take precedence.

CAUTION

To avoid risk of personal injury, property damage, or product damage due to air conditioner weight and exposed sharp edges:

- Air conditioners pose an excessive weight hazard. Two people are needed to move and install the unit. To prevent injury or strain, use proper lifting and carrying techniques when moving unit.
- Carefully inspect planned installation location. Be sure location will support weight of installed unit over an extended period of time.
- Handle air conditioner with care. Wear protective gloves whenever lifting or carrying the unit. AVOID the sharp metal fins on front and rear coils.
- Make sure air conditioner does not fall during installation.

Required Tools and Equipment

The following tools and equipment are needed to install this kit:

- Tight Fitting Gloves
- Cordless Nut Driver with 1/4" and 5/16" sockets

Installation Kit Parts

The Installation kit contains the following parts. Make sure all parts are included before beginning. If parts are missing contact the dealer where the kit was purchased.

NOTE: Parts are listed in the order in which they are used, and are illustrated in Figure 1.

Item	Description	Quantity
A	Bracket Adapter	1
B	Tinnerman Speed Nuts	6
C	Screw, #8 x 1/2, 1/4 self-drill	7

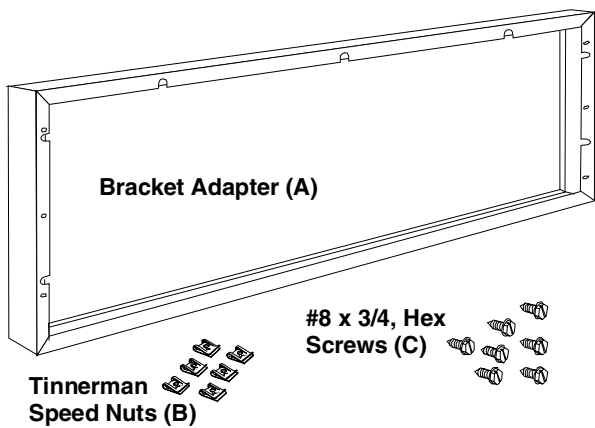


Figure 1
Installation Kit Parts

Bracket Adapter Kit Installation

This kit is to be installed on an existing wall sleeve.

1. Remove Bracket Adapter from box. Place the supplied Tinnerman speed nuts to the bracket adapter.

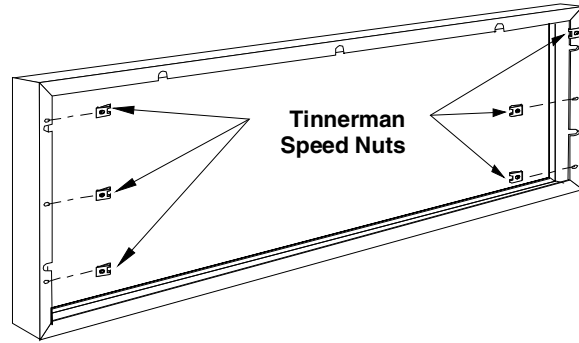


Figure 2
Tinnerman Speed Nut Installation

2. Remove screws securing air conditioner to wall sleeve. Set aside.
3. Remove competitor's air conditioner unit that is to be replaced from wall sleeve.
4. Align adapter to sleeve. Ensure all four exterior surfaces are flush. Using the seven supplied #8 x 1/2, 1/4 self-drilling screws, secure the back of the bracket adapter to existing wall sleeve.

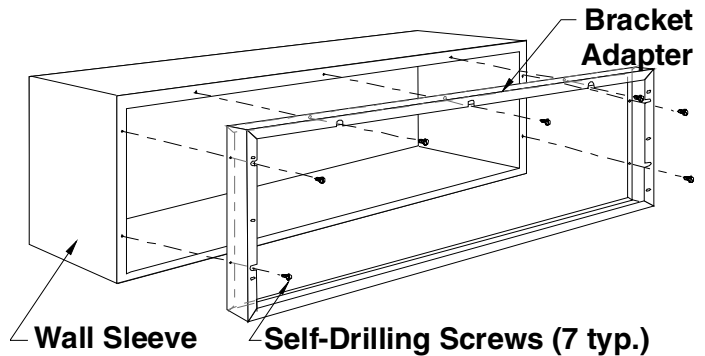


Figure 3
Bracket Adapter Installation

5. Install Amana PTAC air conditioning unit per unit installation instructions.

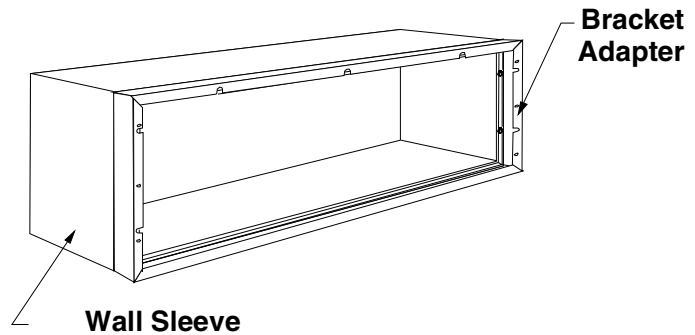


Figure 4
Securing Air Conditioner